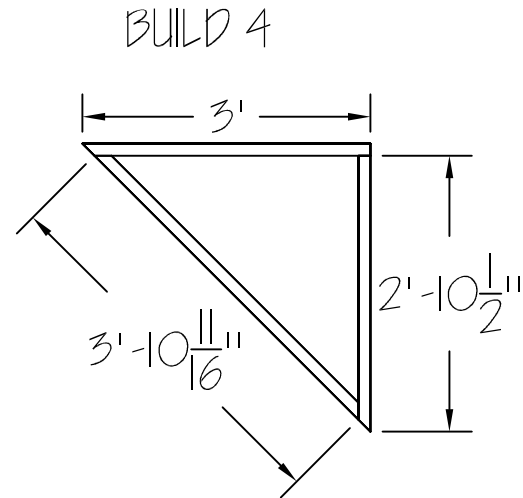
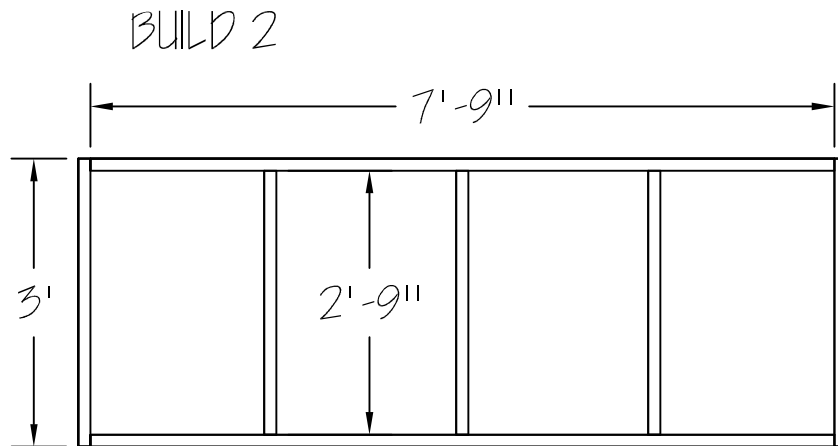
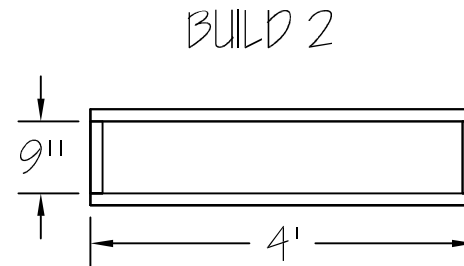
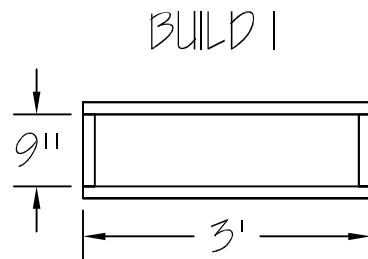


COVER WITH $\frac{3}{4}$ " PLY
LEG TO 6"



CUT LIST

- 2X4
- 4@7'9"
- 6@3'
- 6@2'9"
- 4@4'
- 6@0'9"
- 4@3' 90 TO 45LP
- 4@2'10 $\frac{1}{2}$ " 90 TO 45LP
- 4@3'10 $\frac{11}{16}$ 45LP TO 45LP
- 24@ 0'6"



DIRECTOR
S.COATS

DESIGNER
W.FRITZ

TECH. DIR.
KYLE VAN SANDT

DRAWN BY
KYLE VAN SANDT

BOX DECKS

CURTAINS

DATE
9/11/09

SCALE
1/2" = 1'-0"

HOME MADE
THEATRE

SPALITTLE
THEATRE

PLATE #

3

OF ?